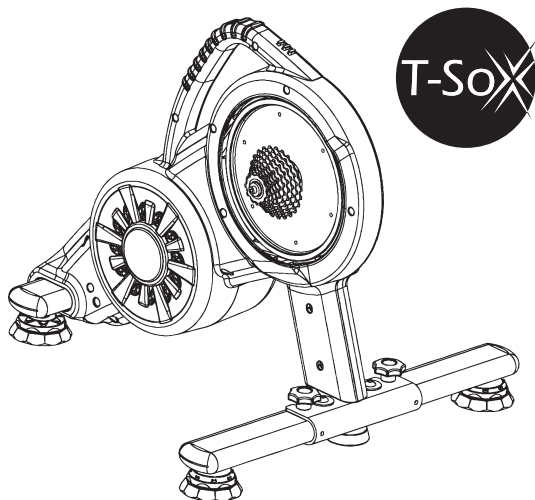




Indoor Bike Trainer Model : So-exercise TX7

Before installation, please read the original manufacturer's manual carefully and follow the instructions

Thank you for choosing our product. Please read this Installation & Owner' s Manual carefully before operation and retain it for future reference. If you lose this Manual, please contact your local distributor or visit www.ehuntsun-tsox.com now to download and file the electronic version.



Contact information

eHuntSun Health Technology Co., Ltd.

2F., No. 88, Shuren 6th St., Wufeng Dist., Taichung City 413015, Taiwan (R.O.C.)

TEL: +886-04-23325688 Fax: +886-04-23328988

E-mail: info@ehuntsun.com

Manual Version: 2021/08



Specification:

Package Weight:G.W. 24.0 kg

Weight:N.W. 17.5 kg

Box Dims. (LWH):700 × 280 × 600 (mm)

Product Dims. (LWH):

622 × 604 × 554 (mm)

Drivetrain:PJ Belt

Resistance Type:Daul EMS

Accuracy:3%

Max User Weight/:110.0 kg

Flywheel Weight:4.0 kg

Max of Power Output:2200 watts

Power Adaptor:

input AC 100-240V, 50-60 Hz

output DC 24V, 4A

Country of Origin:Taiwan

Simulated Grade:

0-15%

Noise interference:

When the speed is 60 rpm, the noise does not exceed 60 decibels (measured at 1 meter at the back of the car)

Rear Wheel Size:

Road:650c\700c\24",
MTB:650b\24"\26"\29"

Cassette(includes the flywheel):

11-12-13-14-15-16-17-19-21-24-28T (11S)

Support for Ascension:

Frameset support, can be used with purchased ascending frame accessories

Firmware Updates:

T-SOX App
Connectivity:BLE FTMS, ANT+/FE-C

Software compatible device:

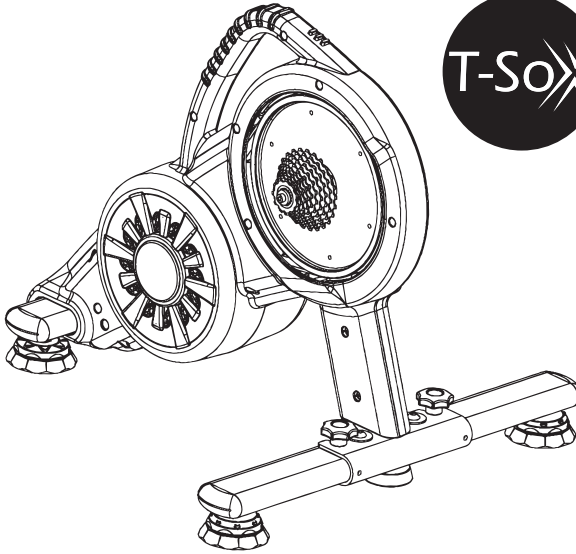
iOS\Android\PC (Mac & Windows)

App support:

Kinomap\ZWIFT\FTMS compatible App

Remarks:

To apply the competition-interactive App, it is recommended to purchase an external cadence/speed device.



**For detailed steps of spin down, please
refer to the official website
(www.ehuntsun-tsox.com).**

android

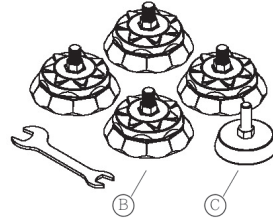
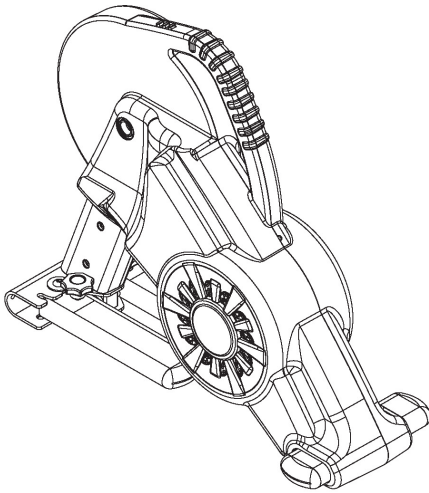


ios



T-SOX
 EAN-13:4711404559020
 (2-year warranty)

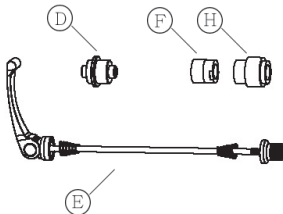
Stabilizer Pad kit
 EAN-13: 4711404559044
 (60-day warranty)



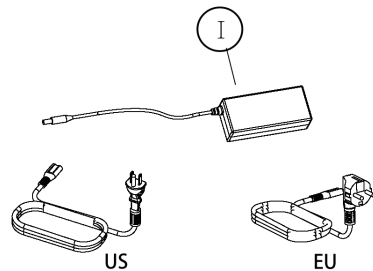
Ⓑ: 4 sets of stabilizer pad (soft pad/ pad cover/ flat head hexagon socket screw/ hexagon nut/ flat washer)
 Ⓒ: M10 adjustment stabilizer pad

Hardware kit
 EAN-13: 4711404559037
 (60-day warranty)

Power Adapter(US/EU)(60-day warranty)
 EAN-13: 4711404559051(US) or
 EAN-13: 4711404559068(EU)

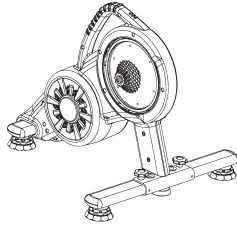


Ⓓ: 130/135 left-end cap
 Ⓔ: bicycle quick release rod
 Ⓕ: 142/148 right end cap
 Ⓖ: 142/148 left-end cap



Ⓘ: Power adaptor with power cable and US plug or EU plug

T-SoX



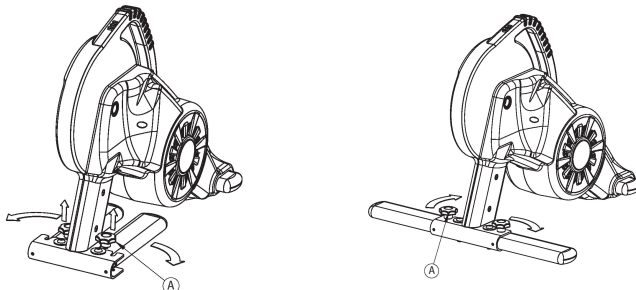
Precautions:

- ◎ Before beginning or modifying any exercise program please consult your physician and do not ride if you have any discomfort.
- ◎ Do not put hands or objects near moving parts of the T-SOX to avoid improper involvement or injury.
- ◎ The T-SOX is not recommended to be used outdoors, and keep the space around T-SOX at least 30 cm.
- ◎ The T-SOX may become hot to the touch when used for extended periods of time.
- ◎ Do not try to disassemble the bicycle while the flywheel is running.
- ◎ Keep children and pets away from the T-SOX while in use.
- ◎ Only use the T-SOX on a stable and soft surface, adjust the stabilizer pads correctly and stabilize the machine.
- ◎ The user's weight limit is less than 110KG. Use caution when standing while riding on the T-SOX.
- ◎ Do not operate the T-SOX near water sources or operate in an excessively humid environment.
- ◎ Only use the power adapter that comes with the T-SOX.
- ◎ Make sure that the bicycle is properly fixed on the T-SOX before riding each time, and do not shake it excessively during riding.
- ◎ eHuntSun warrants its main-unit T-SOX for a period of two years from the date of purchase, this applies only for the original owner. Other consumables are regarded as consumables, and the warranty is 60 days. The following dates are then calculated for the purchase
- ◎ Repairs during the warranty period are free of charge. However, the shipping costs for the T-SOX shall be borne by the buyer himself for all shipping costs and possible customs duties.

Installation Notes:

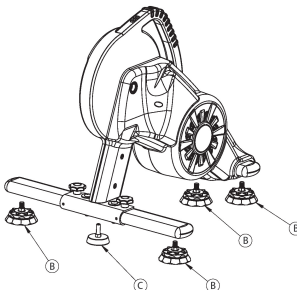
STEP 1.

Place your T-SOX on a stable surface, and slightly pull up the knob **A** in the direction of the arrow. Unfold the two legs in the direction of the arrows. Tighten the legs by turning the knob **A** in the arrow direction.



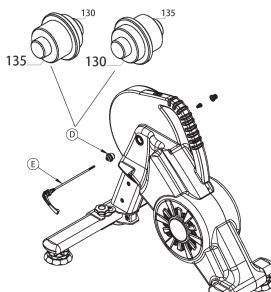
STEP 2.

Using the stabilizer pad kit, place 4 sets of stabilizer pad **B** and 1 set of M10 adjustment stabilizer pad **C** in the relative position of the main unit, and screw them up into the front and rear legs and the frame.



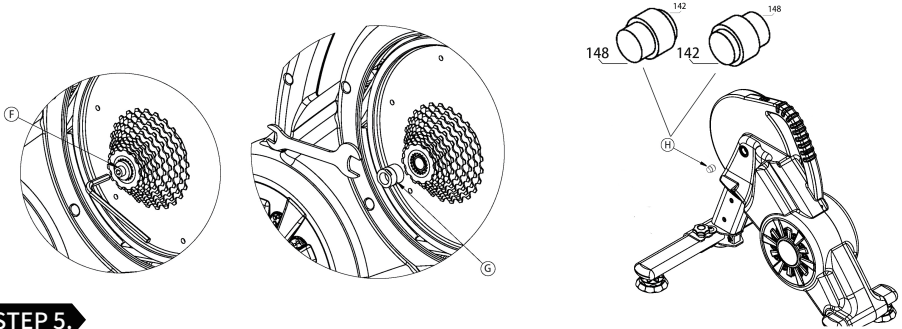
STEP 3.

Assemble the 130 mm or 135 mm left-end cap. T-SOX comes pre-configured out of the box for bicycles with 130/135 right-end cap. Press the 130/135 left-end cover **D** into the axle hole of the frame, and then insert the bicycle quick release rod **E** into the axle hole of the frame.



STEP 4.

(If necessary) Replace the 142- or 148-mm cap set. Use a 5-mm hexagonal wrench counterclockwise to remove the 130/135 right-end cap (E). Use a 17-mm open-end wrench to screw the 142/148 right-end cap (C) into the frame and lock it in a clockwise direction. Press the 142/148 left-end cap (H) into the axle hole of the frame.



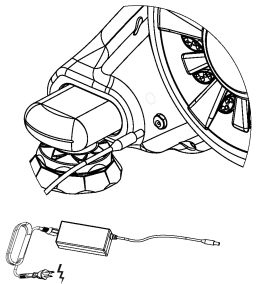
STEP 5.

Remove the rear wheel of the bicycle, install the T-SOX, and use the bicycle quick release lever to properly lock it. Insert the DC connector of the power adaptor (I) into the corresponding hole on the right cover and power on.

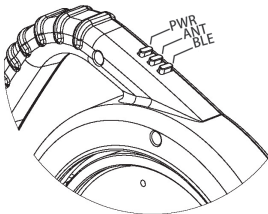


Note!

Failure to correctly install the machine in accordance with the instructions, or improper quick disassembly and installation may cause property damage or personal injury. If you are not sure whether the quick-release installation tightness is appropriate, please consult your local dealer or contact our company for help. Do not ride the T-SOX until the bicycle quick release rod or left-end cap is stuck.



Description of LED Light description:



1. Light description:

- 1-1. BLE: blue light
- 1-2. ANT+: yellow light
- 1-3. Power: green light

2. BLE function description:

- 2-1. Connecting search: flashing
- 2-2. Connection established successfully: Constant light

3. ANT+ function description:

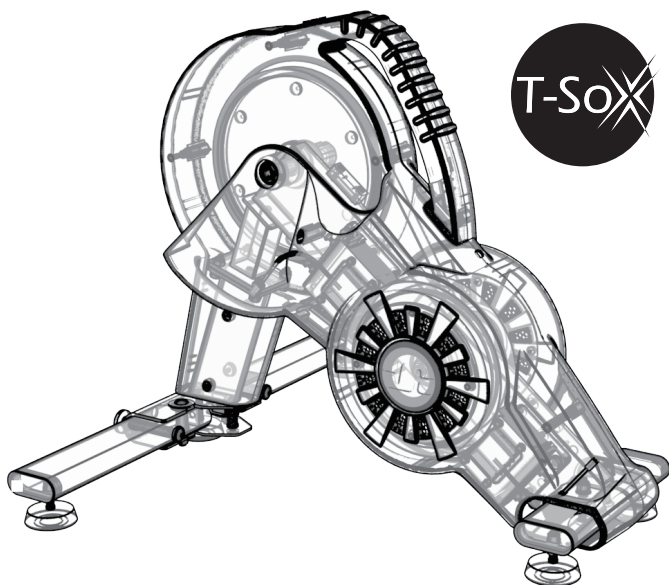
- 3-1. Connecting search: flashing
- 3-2. Connection established successfully: Constant light

4. PWR function description:

- 4-1. Connect the DC power cord: Constant light

Setup:

- (1) Place the T-SOX training platform on a stable ground, unscrew the left and right legs outwards and adjust the stabilizer pads to make the machine stable.
- (2) Use the included AC to DC power adaptor to connect the T-SOX and the wall power outlet.
- (3) Before each ride, please check whether the bicycle and T-SOX are stable after loading, and readjust the stabilizer pads if necessary.
- (4) Download the T-SOX app for free from the Apple App Store or Android Google Play store to perform spin down and calibration.
- (5) Spin down and calibration -Before using the T-SOX for the first time, perform calibration. In addition, the calibration is repeated through the T-SOX app approximately every two weeks to ensure the most accurate power. For detailed steps of spin down, please refer to the official website (www.ehuntsun-tsox.com).



eHuntSun

Contact information

eHuntSun Health Technology Co., Ltd.

2F., No. 88, Shuren 6th St., Wufeng Dist., Taichung City 413015, Taiwan (R.O.C.)

TEL: +886-04-23325688 Fax: +886-04-23328988

E-mail: info@ehuntsun.com



<https://www.facebook.com/eHuntSun>



<https://www.ehuntsun-tsox.com/>

Manual Version: 2021/08